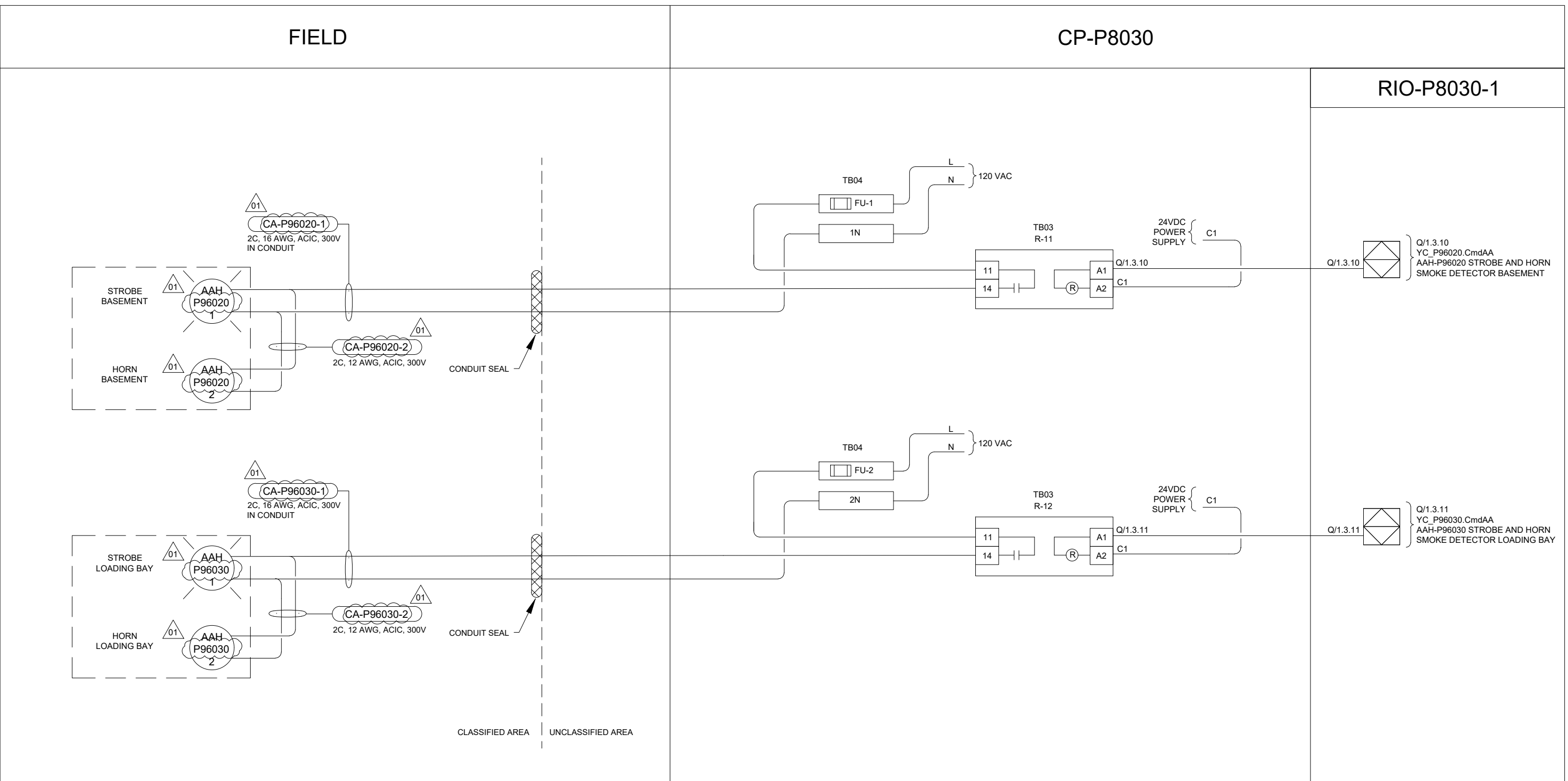



LAST SAVE: 2023/10/27 - 3:39pm
 PATH: C:\Users\lualesd\ACCDocs\AECOM\City of Winnipeg - NEWPCC Upgrades 2021\9000 Design Collaboration\60661262 Primary Clarifier Upgrade\A - Automation\ILDV1-0101-AILD-P909-001.dwg
 B SIZE - 279mm x 432mm





**ENGINEERS
GEOSCIENTISTS
MANITOBA**
 Certificate of Authorization
 AECOM Canada Ltd.
 No. 4671 Date: 2023-08-17

NO.	REVISIONS	DATE	DESIGN	CHECK
01	ISSUED FOR ADDENDUM 3	2023-10-27	DR	SB
00	ISSUED FOR TENDER	2023-08-17	DR	SB



DESIGNED BY: DR	CHECKED BY: SB
DRAWN BY: DR	APPROVED BY: NW
SCALE: NTS	DATE: 2020 / 12 / 09
ISSUED FOR CONSTRUCTION DATE:	
BY:	
CONSULTANT NO.: P3-I696	

ENGINEER'S SEAL


THE CITY OF WINNIPEG
 WATER AND WASTE DEPARTMENT

NORTH END SEWAGE TREATMENT PLANT
 PRIMARY CLARIFICATION PROJECT
 AUTOMATION
 SCUM DEWATERING BUILDING - LOOP DIAGRAM
 STROBE AND HORN AAH-P96020, AAH-P96030

CITY DRAWING NUMBER	SHEET	REV.	SIZE
1-0101-AILD-P909	001	01	B